

PRO-SERIES PARTS CATALOG

P-1034-07



IMPORTANT INFORMATION

The model number and serial number of your range is stamped on the number plate. This plate is located either on the front frame of the unit beneath the range broiler drawer or beneath the top on the burner box bottom.

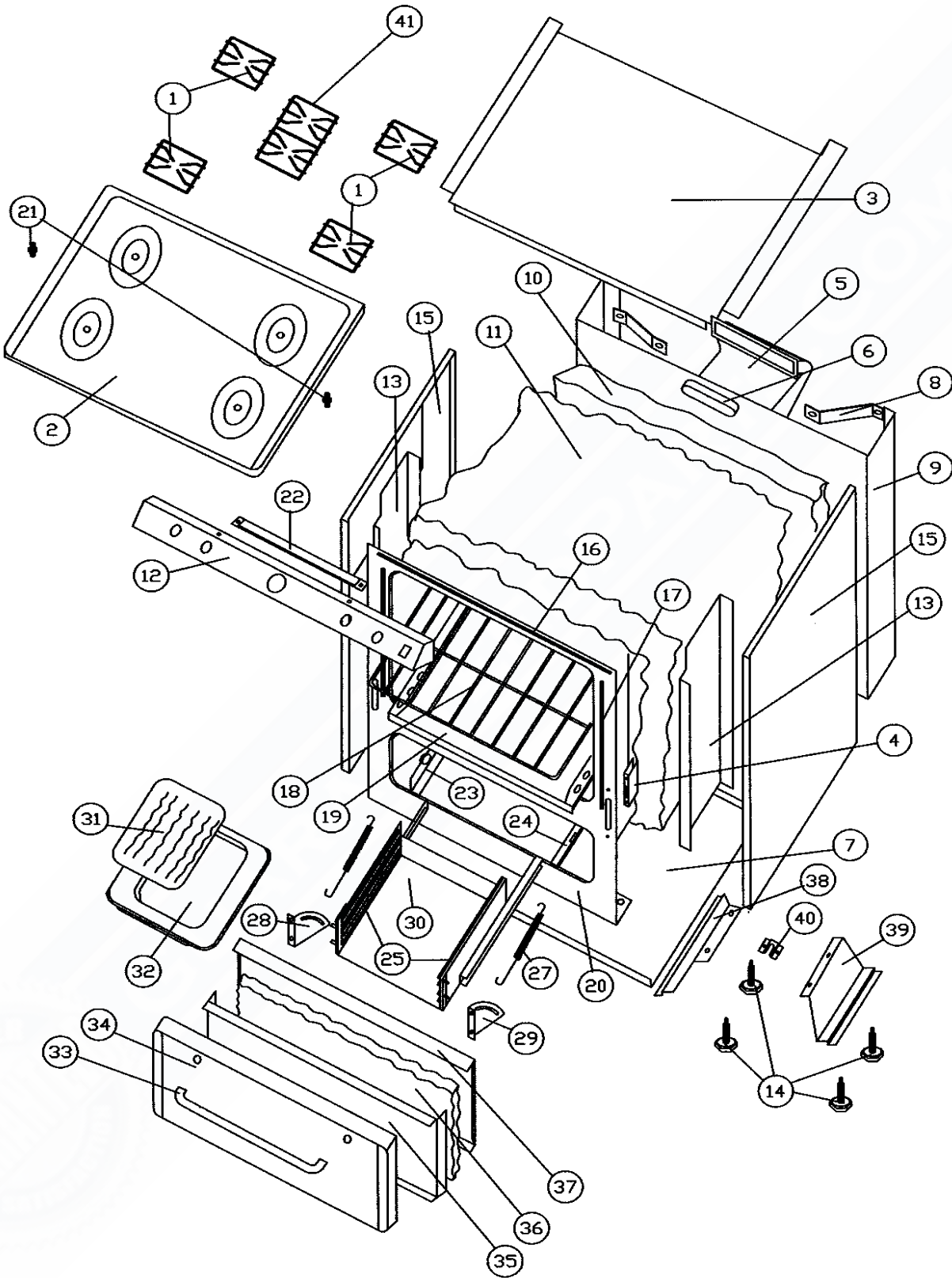
Always give the full model and serial number of your range in any communication concerning service.

When ordering repair parts always state color, model and serial numbers, along with the quantity, part number, and brand name.

MAIN BODY FOR 24" & 30" GAS RANGES

Ref. No.	DESCRIPTION	30 INCH	24 INCH
1.	TOP GRID	7087	7089
2.	MAIN TOP	5267	5278
3.	BURNER BOX BOTTOM	0185	0183
4.	HINGE RECEIVER	8194	8194
5.	FLUE BOX	0667	0667
6.	FLUE BOX RING	0868	0868
7.	MAIN BOTTOM	0258	0257
8.	BACK BRACE	0517	0517
9.	MAIN BACK	0314	0313
10.	OVEN BACK INSULATION	8971	8972
11.	OVEN WRAP INSULATION	8871	8870
12.	MANIFOLD COVER	5127	5125
	MANIFOLD COVER DECAL	5023	5011
13.	INNER SIDE BAFFLE	0697	0697
14.	LEG LEVELER	4560	4560
15.	MAIN SIDE	5486	5486
16.	TOP OVEN DOOR GASKET	7872	7874
17.	SIDE OVEN DOOR GASKET	7870	7875
18.	OVEN RACK	7471	7472
19.	OVEN BOTTOM	5733	5701
20.	OVEN FRONT FRAME	5755	5754
	OVEN TOP LINING	5715	5711
	LEFT OVEN SIDE LINING	5805	5805
	RIGHT OVEN SIDE LINING	5807	5807
	REAR OVEN LINING	5881	5877
21.	MAIN TOP RETAINER SCREW	4880	4880
22.	MAIN TOP HOLD DOWN	5268	5268
23.	LEFT BROILER RUNNER WITH BEARING	0570	0570
24.	RIGHT BROILER RUNNER WITH BEARING	0571	0571
25.	BROILER PAN GLIDES	5972	5972
27.	BROILER DOOR SPRING	8070	8070
28.	LEFT BROILER HINGE	8170	8170
29.	RIGHT BROILER HINGE	8171	8171
30.	BROILER BODY	5970	5970
31.	BROILER GRILL	7370	7370
32.	BROILER PAN	7270	7270
33.	BROILER DOOR HANDLE	6478	6477
	BROILER DOOR HANDLE BOLT	59756	59756
	BROILER DOOR HANDLE WASHER	59806	59806
34.	BROILER DOOR PANEL	5408S	5407S
35.	BROILER DOOR INSULATION RETAINER	0693	0695
36.	BROILER DOOR INSULATION	8811	8812
37.	BROILER DOOR LINING	5565	5554
38.	LEFT REAR SIDE SUPPORT	0535	0535
39.	RIGHT REAR SIDE SUPPORT	0536	0536
40.	ANTI-TIP BRACKET	0500	0500
41.	CENTER GRATE	7088	——

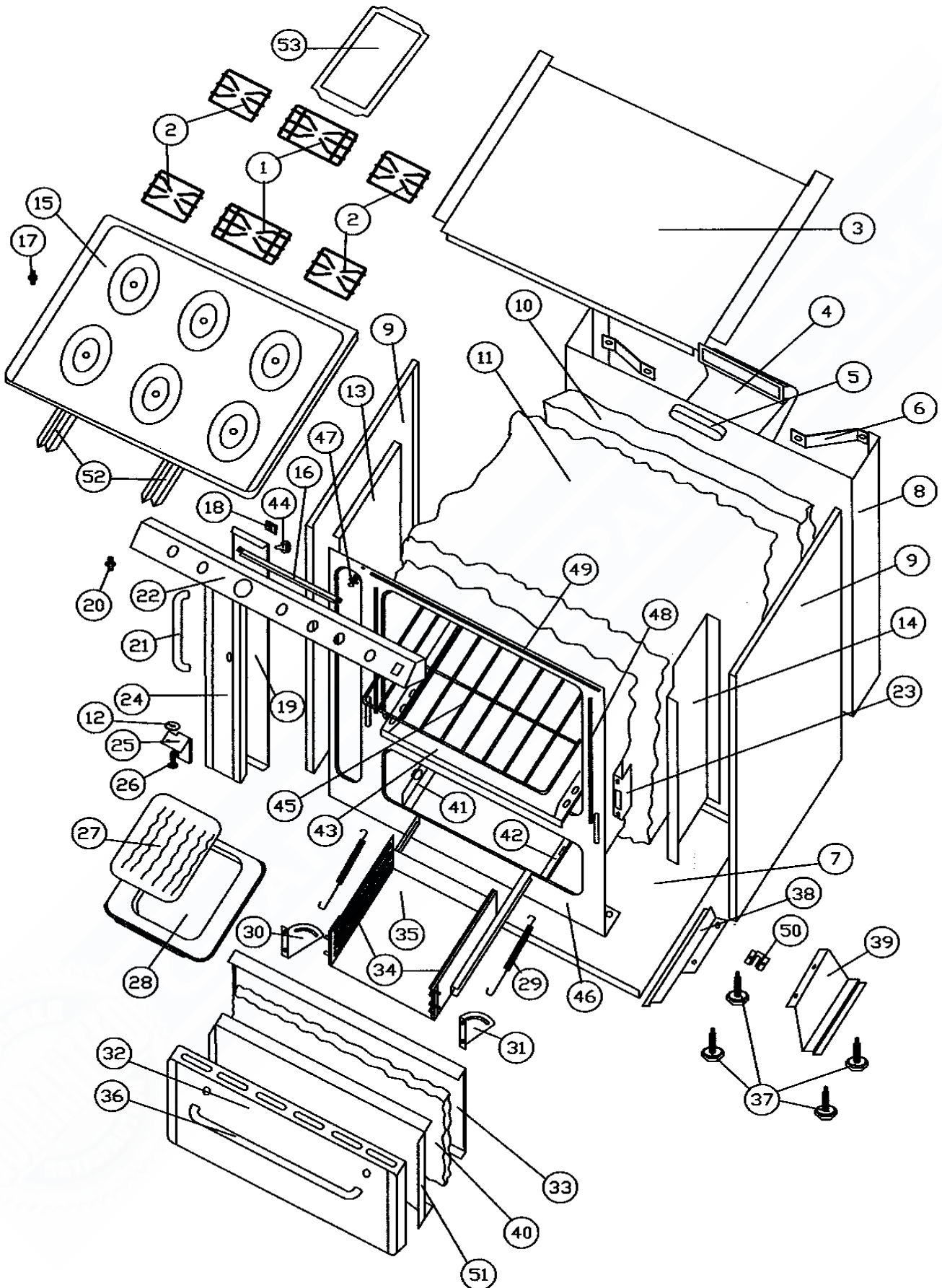
MAIN BODY FOR 24" & 30" GAS RANGES



MAIN BODY FOR 36" GAS RANGE

Ref. No. DESCRIPTION	36 INCH	Ref. No. DESCRIPTION	36 INCH
1. TOP CENTER GRID	7090	DOOR HANDLE WASHERS (BROILER	59806
2. TOP OUTSIDE GRID	7089	ANDCOMPARTMENT DOOR)	
3. BURNER BOX BOTTOM	0186	33. BROILER DOOR LINING	5565
4. FLUE BOX	0667	34. BROILER PAN GLIDES	5972
5. FLUE BOX RING	0868	35. BROILER BODY	5970
6. BACK BRACE	0517	36. BROILER DOOR HANDLE	6478
7. MAIN BOTTOM	0259	37. LEG LEVELER	4560
8. MAIN BACK	0315	38. LEFT REAR SIDE SUPPORT	0535
9. MAIN SIDE	5486	39. RIGHT REAR SIDE SUPPORT	0536
10. OVEN BACK INSULATION	8971	40. BROILER DOOR INSULATION	8811
11. OVEN WRAP INSULATION	8871	41. LEFT BROILER RUNNER WITH BEARINGS	0570
12. COMPARTMENT DOOR HINGE SPACER	0770	42. RIGHT BROILER RUNNER WITH BEARINGS	0571
13. COMPARTMENT DOOR LINING	5478	43. OVEN BOTTOM	5733
14. INNER SIDE BAFFLE	0697	44. COMPARTMENT DOOR LINING RUBBER	4730
15. 6-BURNER SEALED BURNER MAIN TOP	5277	BUMPER	
6-BURNER OPEN BURNER MAIN TOP	5276	45. OVEN RACK	7471
16. MAIN TOP FRONT RETAINER	5269	46. OVEN FRONT FRAME	5756
17. MAIN TOP FASTENER SCREW	4880	OVEN TOP LINING	5715
18. COMPARTMENT DOOR STRIKE CATCH	4971	LEFT OVEN SIDE LINING	5805
19. COMPARTMENT DOOR LINER	5539	RIGHT OVEN SIDE LINING	5807
20. COMPARTMENT DOOR UPPER	4872	REAR OVEN LINING (WITH LIGHT)	5881
HINGE PIN		47. COMPARTMENT DOOR STRIKE	4871
21. COMPARTMENT DOOR HANDLE	6477	48. SIDE OVEN DOOR GASKETS	7870
22. MANIFOLD COVER	5107	49. TOP OVEN DOOR GASKETS	7872
23. HINGE RECEIVER	8194	50. ANTI-TIP BRACKET	0500
24. COMPARTMENT DOOR PANEL	5378S	51. BROILER DOOR INSULATION RETAINER	0693
25. COMPARTMENT DOOR HINGE	0483	52. MAIN TOP STIFFENER	5269
BRACKET		53. PRO-SERIES GRIDDLE	7372
26. COMPARTMENT DOOR LOWER	4873		
HINGE PIN			
27. BROILER GRILL	7370		
28. BROILER PAN	7270		
29. BROILER DOOR SPRING	8070		
30. LEFT BROILER HINGE	8170		
31. RIGHT BROILER HINGE	8171		
32. BROILER DOOR PANEL	5408S		
DOOR HANDLE BOLTS (BROILER AND	59756		
COMPARTMENT DOOR)			

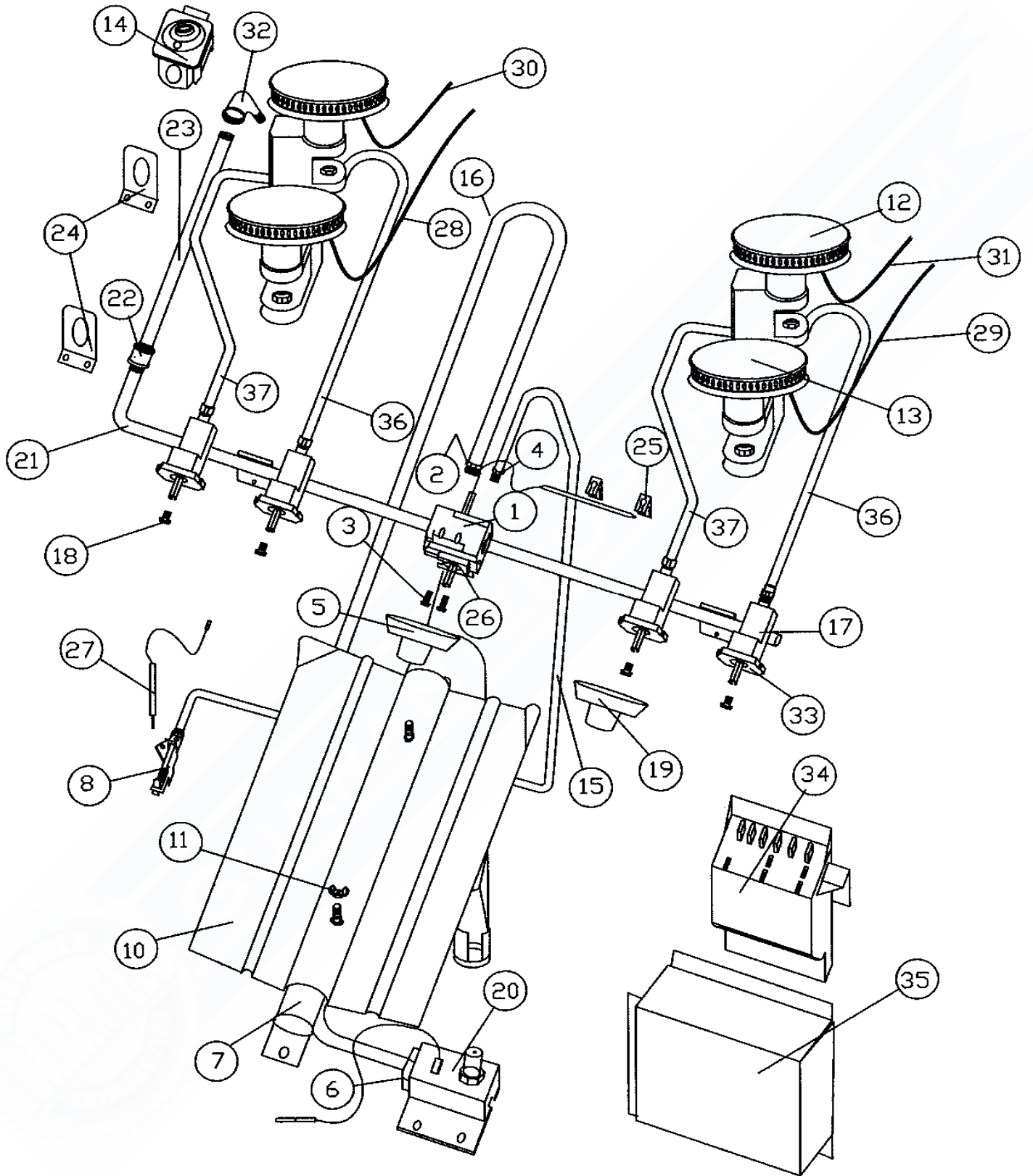
MAIN BODY FOR 36" GAS RANGE



SEALED TOP BURNERS & OVEN BURNER FOR 24" AND 30" RANGES

Ref. No.	DESCRIPTION	30 INCH	24 INCH
1	OVEN THERMOSTAT	1195	1195
2	OVEN THERMOSTAT 3/8" LOXIT FITTING	1068	1068
3	OVEN THERMOSTAT BOLTS	1196	1196
4	OVEN THERMOSTAT 3/16" LOXIT FITTING	60008	60008
5	OVEN THERMOSTAT DIAL- BLACK	6255	6255
	OVEN THERMOSTAT DIAL-WHITE	6255W	6255W
6	OVEN SAFETY VALVE 3/8" LOXIT FITTING	1068	1068
7	OVEN BURNER	1364	1364
8	OVEN BURNER PILOT	1283	1283
	PILOT ORIFICE	1571	1571
10	OVEN BURNER BAFFLE	59035	59035
11	OVEN BURNER BAFFLE WINGNUT	59036	59036
12	REAR TOP BURNER (SEE PAGE ___ FOR COMPONENT PART NUMBER)	---	---
13	FRONT TOP BURNER (SEE PAGE ___ FOR COMPONENT PART NUMBER)	---	---
14	GAS PRESSURE REGULATOR	1972	1972
15	OVEN PILOT TUBING 3/16" O.D.	1885	1885
16	OVEN SUPPLY TUBING 3/8" O.D.	1894	1894
17	TOP BURNER VALVE	1245	1245
18	TOP BURNER VALVE BOLT AND GASKET	1249	1249
19	TOP BURNER VALVE KNOB	6287	6287
20	OVEN SAFETY VALVE	1285	1285
21	MANIFOLD PIPE	1793	1794
22	MANIFOLD PIPE COUPLING	1713	-----
23	MANIFOLD PIPE EXTENSION	1716	-----
24	MANIFOLD PIPE SUPPORT BRACKET	0459	0459
25	CAPILLARY BULB CLIP	4770	4770
26	OVEN THERMOSTAT SWITCH	1197	1197
27	OVEN ELECTRODE	1490	1490
28	TOP BURNER ELECTRODE WIRE (LEFT SIDE FRONT)	1493	1493
29	TOP BURNER ELECTRODE WIRE (RIGHT SIDE FRONT)	1494	1494
30	TOP BURNER ELECTRODE WIRE (LEFT SIDE REAR)	1493	1493
31	TOP BURNER ELECTRODE WIRE (RIGHT SIDE REAR)	1494	1494
32	PIPE ELBOW	1715	1715
33	TOP BURNER VALVE SWITCH	1248	1248
34	SPARK MODULE- 110 VOLT HARPER 4+1	2356	2356
	SPARK MODULE- 220 VOLT HARPER 4+1	2360	2360
35	MODULE COVER- OPTIONAL	0979	0979
36	FRONT BURNER TUBE	1443	1443
37	REAR BURNER TUBE	1444	1444
	1/4" CC NUT for front and rear top burner tubes-valve end	1440	1440
	1/4" COMPRESSION SLEEVE for front and rear top burner tubes-valve end	1441	1441
	1/4" LOXIT FITTING for front and rear top burner tubes-burner end	1427	1427

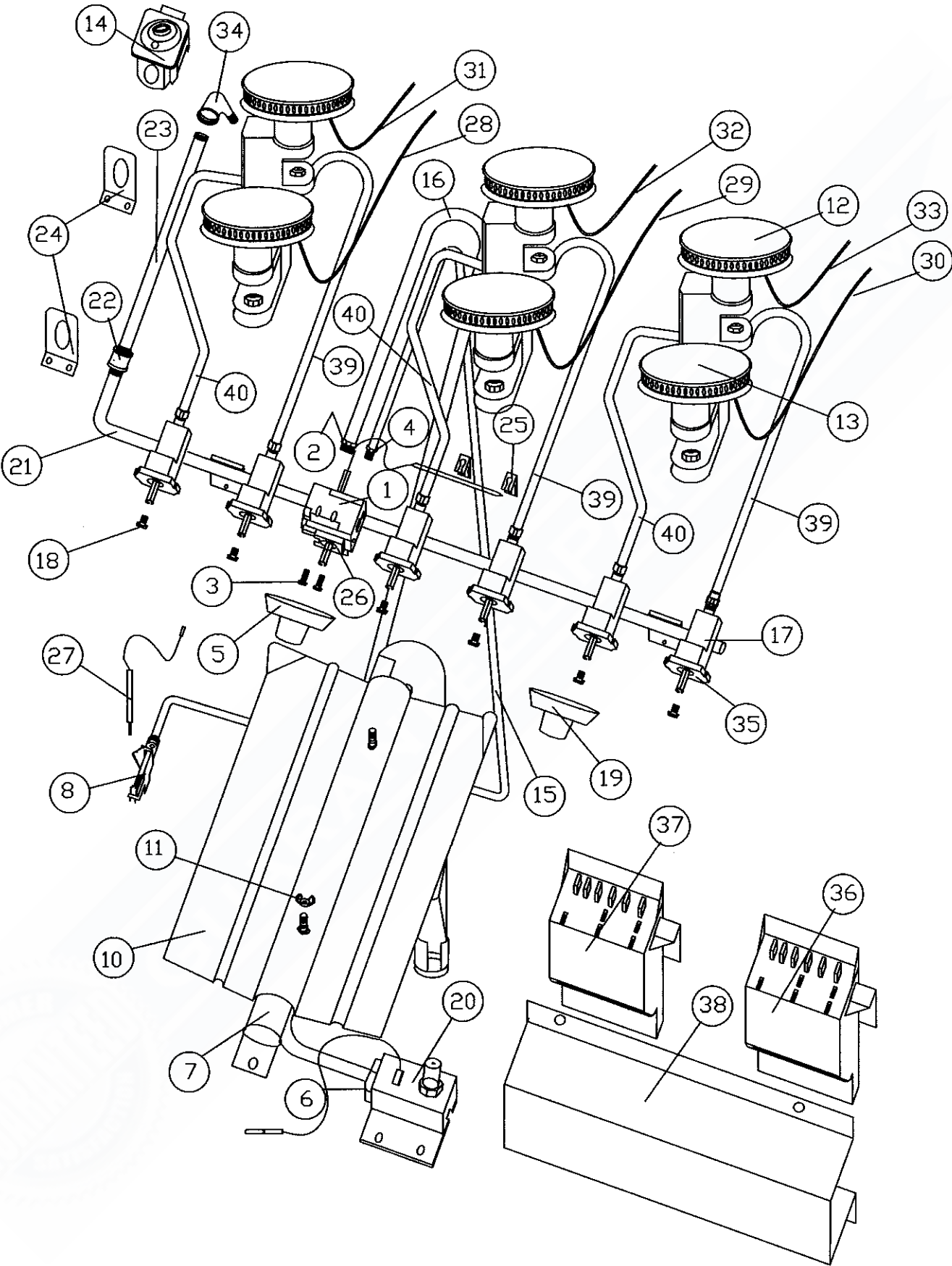
SEALED TOP BURNERS & OVEN BURNER FOR 24" AND 30" RANGES



SEALED TOP BURNERS & OVEN BURNER FOR 36" RANGE

Ref. No.	DESCRIPTION	36 INCH
1.	OVEN THERMOSTAT	1195
2.	OVEN THERMOSTAT 3/8" LOXIT FITTING	1068
3.	OVEN THERMOSTAT BOLTS	1196
4.	OVEN THERMOSTAT 3/16" LOXIT	60008
5.	OVEN THERMOSTAT DIAL	6288
6.	OVEN SAFETY VALVE 3/8" LOXIT FITTING	1068
7.	OVEN BURNER	1364
8.	OVEN BURNER PILOT PILOT ORIFICE	1284 1571
10.	OVEN BURNER BAFFLE	59035
11.	OVEN BURNER BAFFLE WINGNUT	59036
12.	REAR TOP BURNER (See Pictorial Chart)	—
13.	FRONT TOP BURNER (See Pictorial Chart)	—
14.	GAS PRESSURE REGULATOR	1972
15.	OVEN PILOT TUBING 3/16" O.D.	1885
16.	OVEN SUPPLY TUBING 3/8" O.D.	1894
17.	TOP BURNER VALVES-SET FOR NATURAL GAS	1245
18.	TOP BURNER VALVE BOLT AND GASKET	1249
19.	TOP BURNER VALVE KNOB	6287
20.	OVEN SAFETY VALVE	1285
21.	MANIFOLD PIPE	1792
22.	PIPE COUPLING	1713
23.	PIPE EXTENSION	1716
24.	MANIFOLD PIPE SUPPORT BRACKET	0459
25.	CAPILLARY BULB CLIP	4770
26.	OVEN THERMOSTAT SWITCH	1197
27.	OVEN ELECTRODE	1490
28.	TOP BURNER ELECTRODE (LEFT SIDE FRONT)	1493
29.	TOP BURNER ELECTRODE (MIDDLE FRONT)	1494
30.	TOP BURNER ELECTRODE (RIGHT SIDE FRONT)	1496
31.	TOP BURNER ELECTRODE (LEFT SIDE REAR)	1493
32.	TOP BURNER ELECTRODE (MIDDLE REAR)	1494
33.	TOP BURNER ELECTRODE (RIGHT SIDE REAR)	1496
34.	TOP BURNER ELECTRODE GROUND STRAP	1488
35.	TOP BURNER VALVE SWITCH	1247
36.	SPARK MODULE- 110VOLTS HARPER 2+1	2357
	SPARK MODULE- 220VOLTS HARPER 2+1	2352
37.	SPARK MODULE- 110VOLTS HARPER 4+1	2356
	SPARK MODULE- 220VOLTS HARPER 4+1	2360
38.	MODULE BOX COVER	0969
39.	FRONT BURNER TUBE	1443
	REAR BURNER TUBE	1444
	1/4" CC NUT	1440
	1/4" COMPRESSION SLEEVE	1441
	1/4" LOXIT FITTING	1427

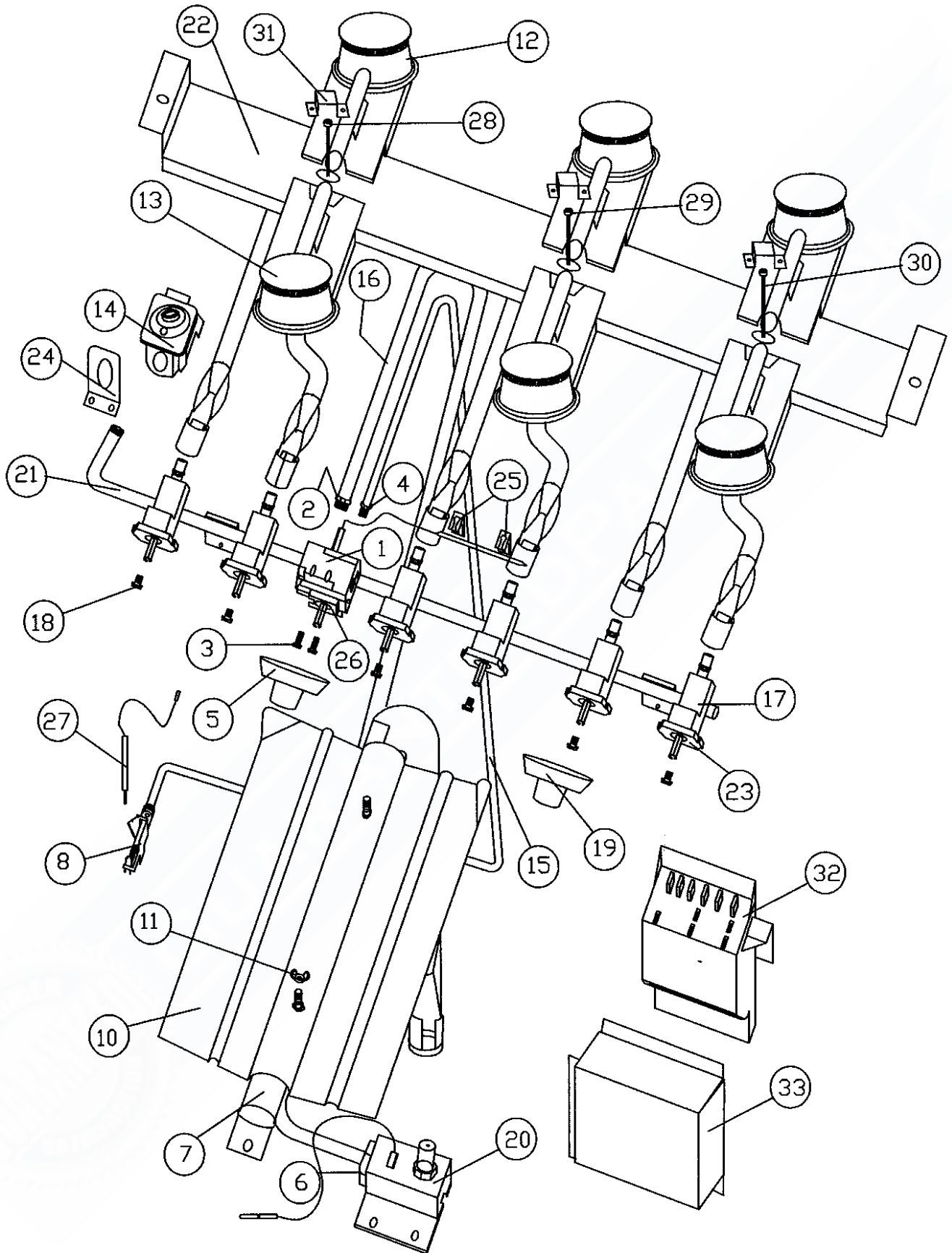
SEALED TOP BURNERS & OVEN BURNERS FOR 36" RANGE



36" RANGE OPEN TOP BURNERS & OVEN BURNER

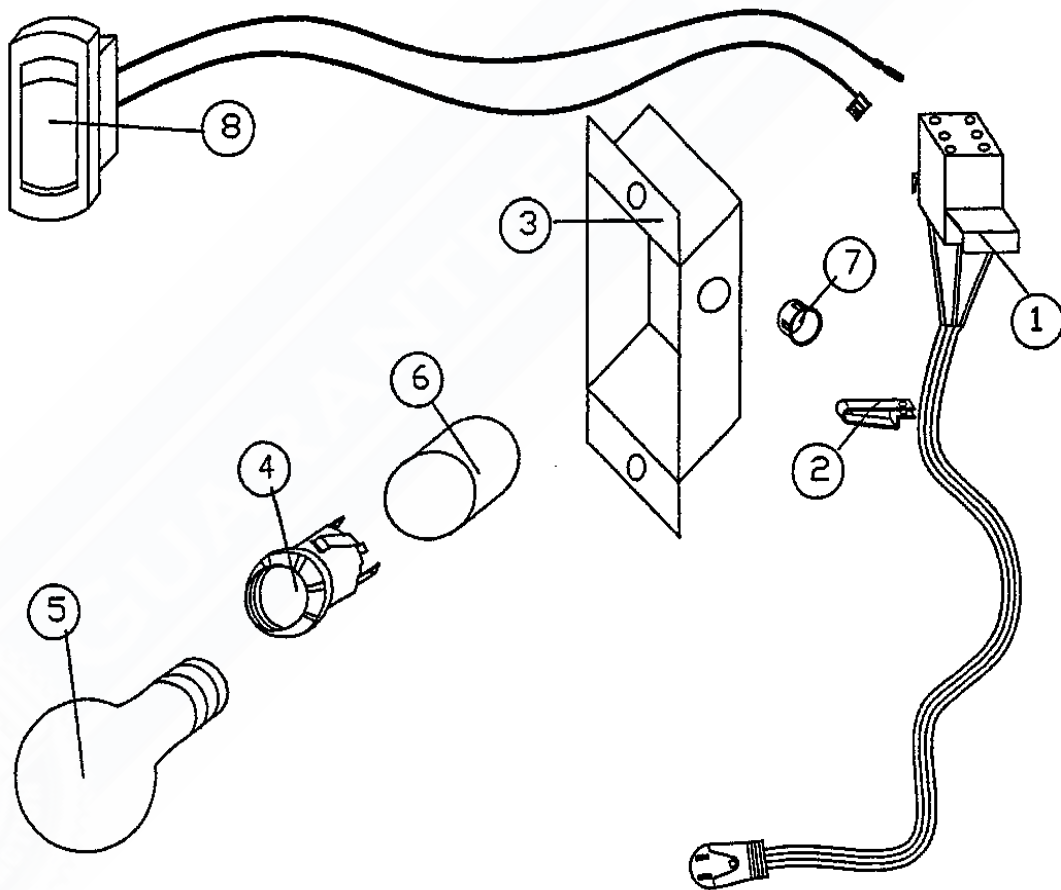
Ref. No.	DESCRIPTION	36 INCH
1.	OVEN THERMOSTAT	1195
2.	OVEN THERMOSTAT 3/8" LOXIT FITTING	1068
3.	OVEN THERMOSTAT BOLTS	1196
4.	OVEN THERMOSTAT 3/16" LOXIT	60008
5.	OVEN THERMOSTAT DIAL	6288
6.	OVEN SAFETY VALVE 3/8" LOXIT FITTING	1068
7.	OVEN BURNER	1364
8.	OVEN BURNER PILOT PILOT ORIFICE	1284
10.	OVEN BURNER BAFFLE	59035
11.	OVEN BURNER BAFFLE WINGNUT	59036
12.	REAR TOP BURNER	1411
13.	FRONT TOP BURNER	1410
14.	GAS PRESSURE REGULATOR	1972
15.	OVEN PILOT TUBING 3/16" O.D.	1885
16.	OVEN SUPPLY TUBING 3/8" O.D.	1894
17.	TOP BURNER VALVES-SET FOR NATURAL GAS	1257
18.	TOP BURNER VALVE BOLT AND GASKET	1249
19.	TOP BURNER VALVE KNOB	6287
20.	OVEN SAFETY VALVE	1285
21.	MANIFOLD PIPE	1792
22.	BURNER HANGER	0548
23.	TOP BURNER VALVE SWITCH	1247
24.	MANIFOLD PIPE SUPPORT BRACKET	0458
25.	CAPILLARY BULB CLIP	4770
26.	OVEN THERMOSTAT SWITCH	1197
27.	OVEN ELECTRODE	1490
28.	TOP BURNER ELECTRODE (LEFT SIDE)	1487
29.	TOP BURNER ELECTRODE (MIDDLE)	1486
30.	TOP BURNER ELECTRODE (RIGHT SIDE)	1485
31.	TOP BURNER ELECTRODE GROUND STRAP	1488
32.	SPARK MODULE- 110VOLTS HARPER 3+1	2358
	SPARK MODULE- 220VOLTS HARPER 3+1	2360

36" RANGE OPEN TOP BURNERS & OVEN BURNER



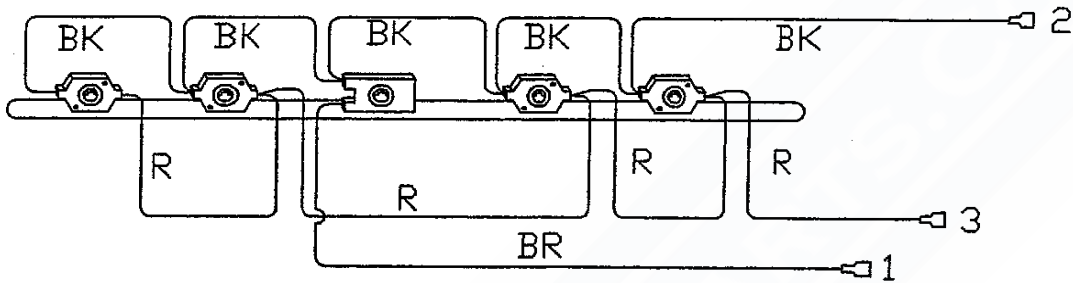
GAS RANGE OVEN LIGHT COMPONENTS

Ref. No.	DESCRIPTION	24 INCH	30 INCH	36 INCH
1.	POWER SUPPLY CORD	4975	4975	4975
2.	POWER SUPPLY STRAIN RELIEF	4975	4975	4975
3.	POWER BOX	0977	0977	0977
4.	OVEN LIGHT RECEPTACLE	2870	2870	2870
5.	APPLIANCE LIGHT BULB 115V-40W	2670	2670	2670
	APPLIANCE LIGHT BULB 230V-40W	2680	2680	2680
6.	OVEN LIGHT RING	0873	0873	0873
7.	WIRE BUSHING	0070	0070	0700
8.	OVEN LIGHT SWITCH	2483	2483	2483



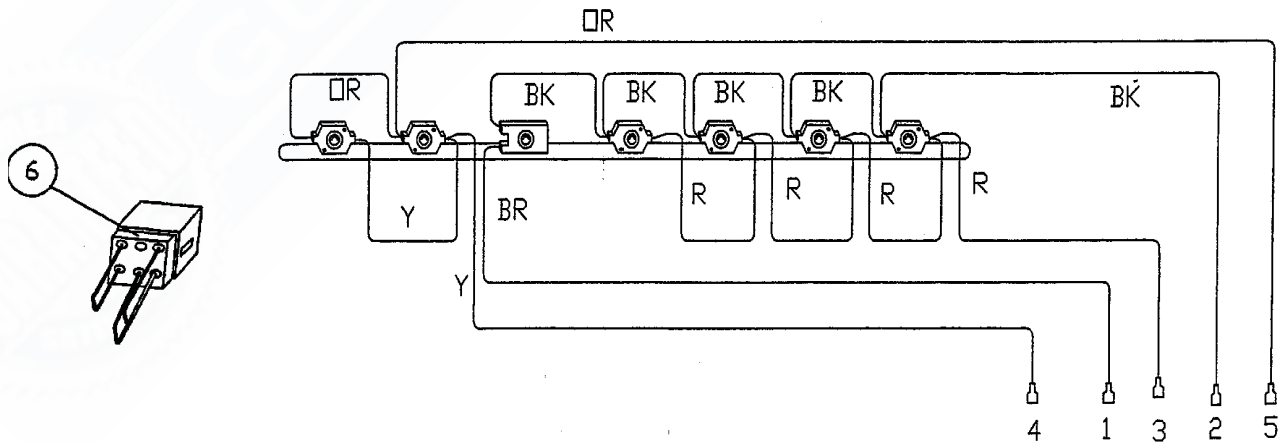
SWITCH WIRES

Ref. No.	DESCRIPTION	24 INCH	30 INCH	36 INCH
1.	BROWN THERMOSTAT WIRE	60082C	60082C	60106C
2.	BLACK JUMPER WIRE	60085D	60087D	60107D
3.	RED JUMPER WIRE	60086A	60088A	60108A



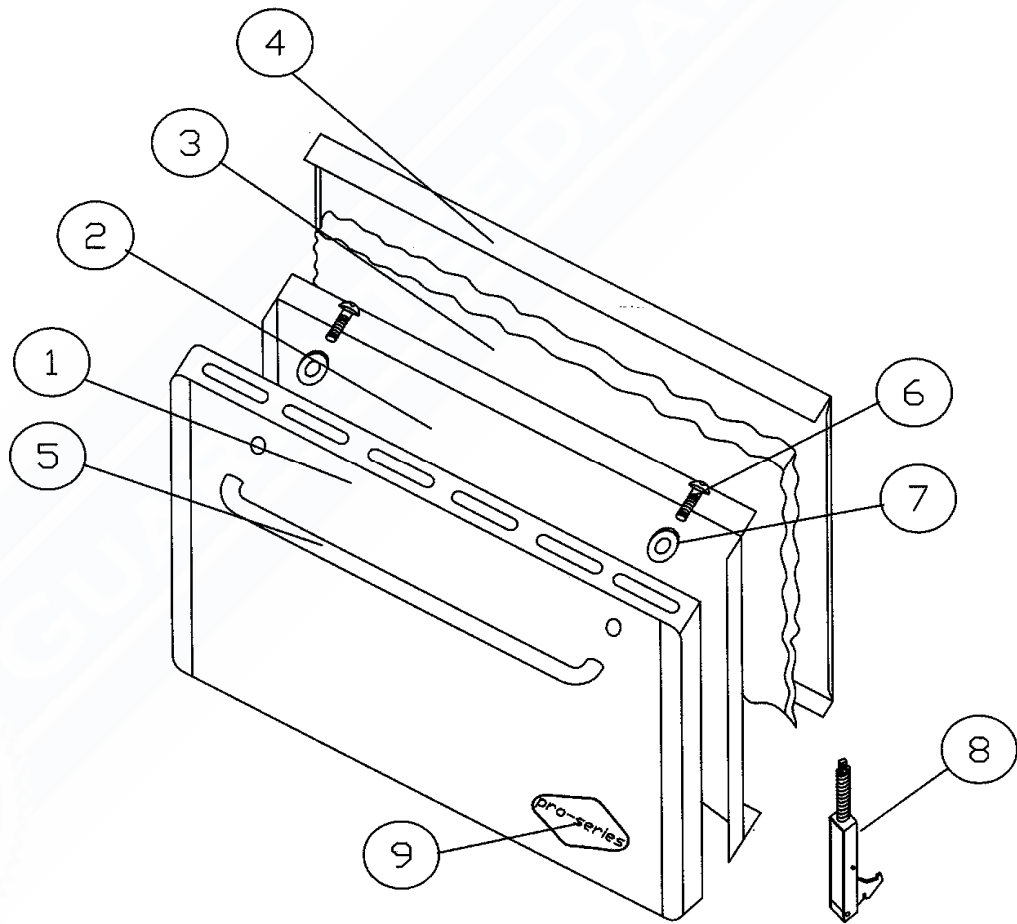
36" SEALED BURNER SWITCH WIRES

Ref. No.	DESCRIPTION	36 INCH
1.	BROWN THERMOSTAT	60106C
2.	BLACK JUMPER WIRE	60253
3.	RED JUMPER WIRE	60254
4.	YELLOW SWITCH WIRE	60252
5.	ORANGE SWITCH WIRE	60255
6.	WIRING PIGTAIL	2957



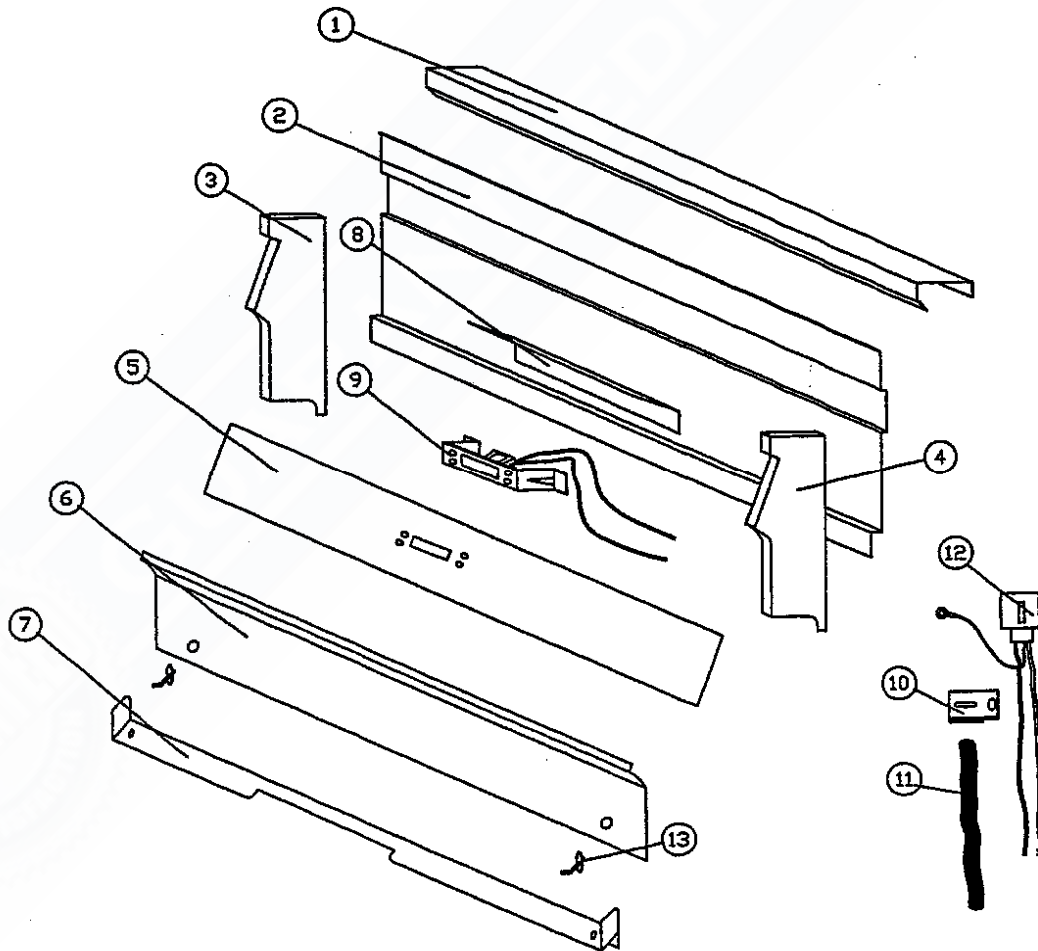
SOLID OVEN DOOR

Ref. No.	DESCRIPTION	24 INCH	30 INCH	36 INCH
1.	SOLID OVEN DOOR PANEL	5346	5347	5347
2.	INNER OVEN DOOR PANEL	0694	0692	0692
3.	OVEN DOOR INSULATION	8710	8712	8712
4.	SOLID OVEN DOOR LINING	5529	5519	5519
5.	OVEN DOOR HANDLE	6477	6478	6478
6.	OVEN DOOR HANDLE BOLT	59756	59756	59756
7.	OVEN DOOR HANDLE WASHER	59806	59806	59806
8.	LIFT-OFF HINGE (right)	8196	8197	8197
	LIFT-OFF HINGE (left)	8199	8197	8197
9	DOOR LABEL	9615	9615	9615



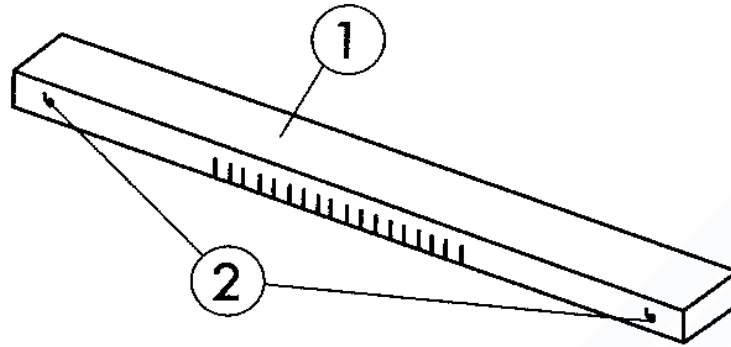
10" END CAP BACKGUARD-WITH ELECTRONIC CLOCK & TIMER

Ref. No.	DESCRIPTION	24 INCH	30 INCH	36 INCH
1.	STAINLESS TOP RAIL	9138S	9130S	9139S
2.	BACKGUARD BACK	9546	9547	9548
3.	LEFT END CAP	9441B	9441B	9441B
4.	RIGHT END CAP	9442B	9442B	9442B
5.	BACKGUARD GLASS PANEL	4026	4027	4028
6.	LOWER FRONT PANEL	9126S	9128S	9140S
7.	BACKGUARD SUPPORT	9255	9256	9257
8.	CLOCK HEAT DEFLECTOR	2597	2597	2597
9.	ELECTRONIC CLOCK/TIMER 120V/60C	2603	2603	2603
10.	HARNESS STRAIN RELIEF	4975	4975	4975
11.	HARNESS SLEEVING	59706	59706	59706
12.	BACKGUARD WIRE HARNESS	2955	2955	2955



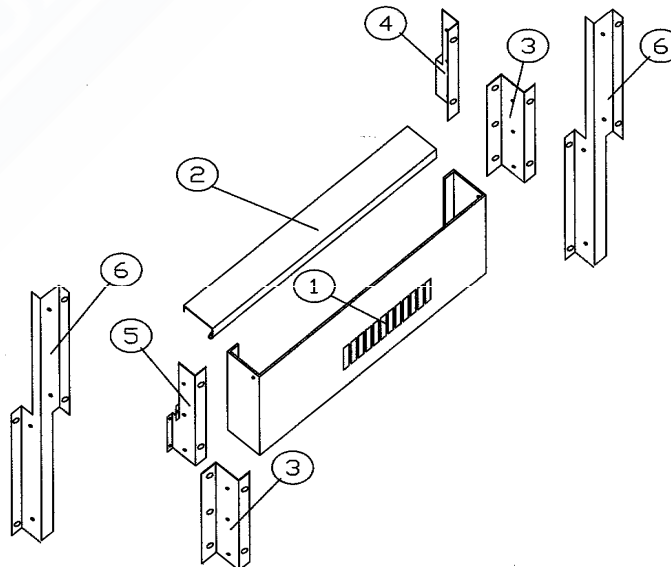
PORCELAIN VENT RAIL

Ref. No.	DESCRIPTION	24 INCH	30 INCH	36 INCH
1.	VENT RAIL (GAS)	9064	9065	9066
	VENT RAIL (ELECTRIC)	9067	9068	-----
2.	TOP HINGE PINS	4876	4876	4876



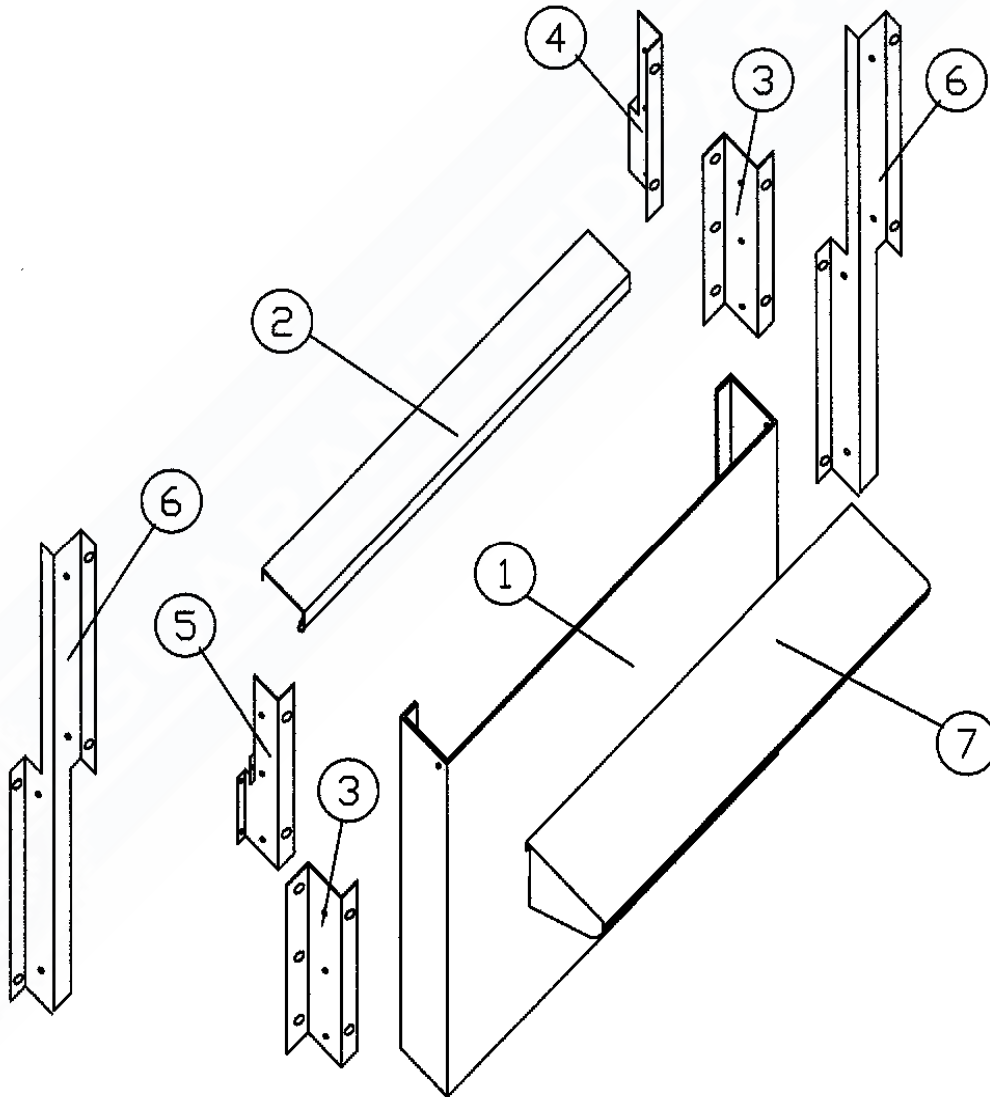
10" STAINLESS STEEL BACKGUARD

Ref. No.	DESCRIPTION	24 INCH	30 INCH	36 INCH
1.	BACKGUARD RISER	9162	9163	9164
2.	RISER TOP CAP	9158	9159	9160
3.	BACKGUARD POST	9167	9167	9167
4.	RANGE POST (LEFT SIDE)	9165	9165	9165
5.	RANGE POST (RIGHT SIDE)	9166	9166	9166
6.	RANGE CONNECTOR	9168	9168	9168
	COMPLETE BACKGUARD RISER	A179	A180	A181



22" STAINLESS STEEL BACKGUARD RISER & SHELF

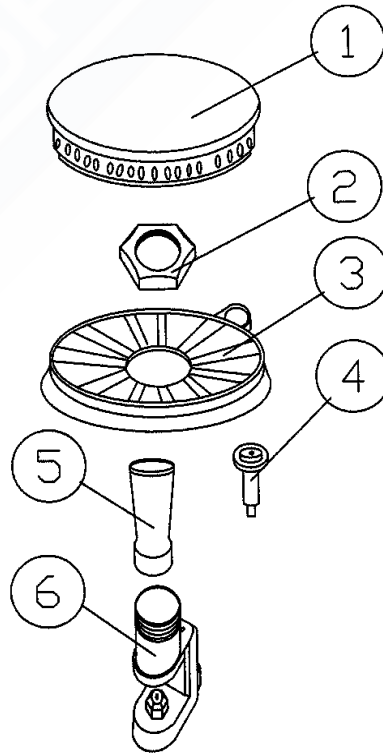
Ref. No.	DESCRIPTION	24 INCH	30 INCH	36 INCH
1.	BACKGUARD RISER	9121	9122	9123
2.	RISER TOP CAP	9158	9159	9160
3.	BACKGUARD POST	9167	9167	9167
4.	RANGE POST (LEFT SIDE)	9165	9165	9165
5.	RANGE POST (RIGHT SIDE)	9166	9166	9166
6.	RANGE CONNECTOR	9168	9168	9168
7.	BACKGUARD SHELF	60232	60231	60229
	COMPLETE RISER/SHELF	A182	A183	A184



SEALED BURNER COMPONENTS

Ref. No.	DESCRIPTION	6,000 NAT 5,000LP	9,100NAT 8,000LP	12,000NAT 11,000LP	15,000NAT 14,000LP
1.	CAP ASSEMBLY	1429	1430	1431	1431
2.	3/4" THREADED NUT	1442	1442	1442	1442
3.	BASE	1433	1434	1435	1435
4.	CERAMIC ELECTRODE	1428	1428	1428	1428
5.	TUBULAR INSERT	1432	1432	1432	1432
6.	SPUD HOUSING (NAT. ONLY)	1426	1425	1424	1423

BURNER ORIFICE SPUDS		
BURNERS	NAT. GAS	LP GAS
LEFT FRONT	56	70
LEFT REAR	49	57
MIDDLE FRONT	54	65
MIDDLE REAR	54	65
RIGHT FRONT	51	59
RIGHT REAR	54	65



ORIFICE CHART

NATURAL	
6,000BTU	#56
9,000BTU	#54
12,000BTU	#51
15,000BTU	#49

L.P. GAS		
5,000BTU	#70	PT.#1436
8,000BTU	#65	PT.#1437
11,000BTU	#59	PT#1438
14,000BTU	#57	PT#1439

GUIDE TO MODEL NUMBERS

P 36 S 3 3 8 B P

1ST CHARACTER---RANGE LINE

P—Pro-Series

2ND AND 3RD CHARACTER---SIZE OF RANGE

24—24" Range

30—30" Range

36—36" Range

4TH CHARACTER---IGNITION SYSTEM

S—Spark Ignition

A—Hot Surface Ignition

5TH CHARACTER---BURNERS

1—Open Burner

2—Sealed Burner 1995

3—Sealed Burner 2003

6TH CHARACTER---BACKGUARD

1—Vent Rail

2—10" All Stainless—No Clock

3—22" High Stainless—No Clock

4—10" Tempered Glass—Clock/Timer

7TH CHARACTER---OPTIONS

0—No Options

8—Griddle

8TH CHARACTER---COLOR

B—Black

W—White

9TH CHARACTER---BRAND

P—Premier